

**WINN MANUFACTURING, INC**

www.winnspeedlock.com

e-mail – sw@winnspeedlock.com

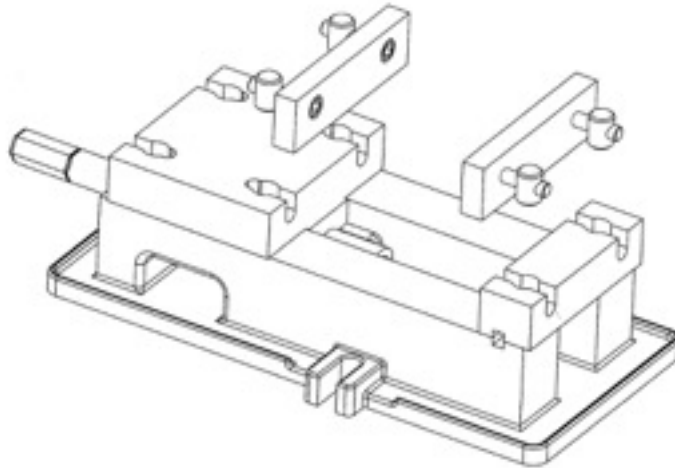
PO Box 308, 12 Burtis Ave.,

Granville, NY 12832

Phone # (518) 642-3515

Fax # (518) 642-2522

*Basic specifications of the Winn Speed Lock Vise*



Made in the USA

- \* Jaw Width - 6"
- \* Hole spacing on Jaws - 3.875" Hole to Hole and .935" from bottom of Jaw
- \* The bed height of the vise is 2.875" within +/- .0005
- \* Stress relieved 80,000 psi ductile iron vise body. Flame hardened vise bed
- \* All Machined surfaces are square and parallel within +/- .0005"
- \* Non lifting angle lock movable jaw design
- \* Semi-hard nickel-plated steel screw
- \* Needle thrust bearing on screw facilitates greater clamping pressure and ease of use.
- \* Shipping weight - 80 pounds